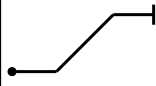

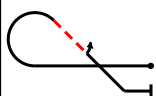
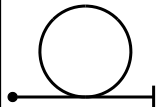
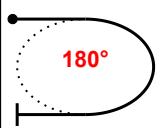
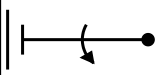


# INTERNATIONAL AEROBATIC CLUB SCORESHEET

# A

Contest:	Date: 2024	Category: Power Primary	Programme: Known	pilot's number	
----------	---------------	----------------------------	---------------------	----------------	--

No	Symbol	Cat. No.	K	Total K	Grade	Remarks	Item	K	Score						
1		1.1.2.1	7	<b>7</b>			<b>Presentation</b>	5							
2		1.1.6.3 9.11.1.6	10 3	<b>13</b>			FIGURE TOTAL K = <span style="border: 1px solid black; padding: 2px 10px;">58</span> INC. PRESENTATION = <span style="border: 1px solid black; padding: 2px 10px;">63</span> Aircraft type: <div style="border: 1px solid black; height: 20px; width: 100%;"></div>								
3		8.5.6.1 9.1.4.2	10 4	<b>14</b>			FREE PROGRAM CHECKED BY: <table border="1" style="width: 100%; border-collapse: collapse;"> <tr> <td style="width: 33%; height: 100px; vertical-align: bottom;">Signature:</td> <td style="width: 33%; height: 100px; vertical-align: bottom;">Printed Name:</td> <td style="width: 33%; height: 100px; vertical-align: bottom;">Date:</td> </tr> <tr> <td style="height: 20px;">IAC No:</td> <td></td> <td></td> </tr> </table>			Signature:	Printed Name:	Date:	IAC No:		
Signature:	Printed Name:	Date:													
IAC No:															
4		7.4.1.1	10	<b>10</b>											
5		2.2.1.1	4	<b>4</b>											
6		1.1.1.1 9.1.3.4	2 8	<b>10</b>			Judge Name: <div style="border: 1px solid black; height: 20px; width: 100%;"></div> IAC # <div style="border: 1px solid black; height: 20px; width: 100%;"></div> Assistant Name: <div style="border: 1px solid black; height: 20px; width: 100%;"></div> IAC # <div style="border: 1px solid black; height: 20px; width: 100%;"></div>								

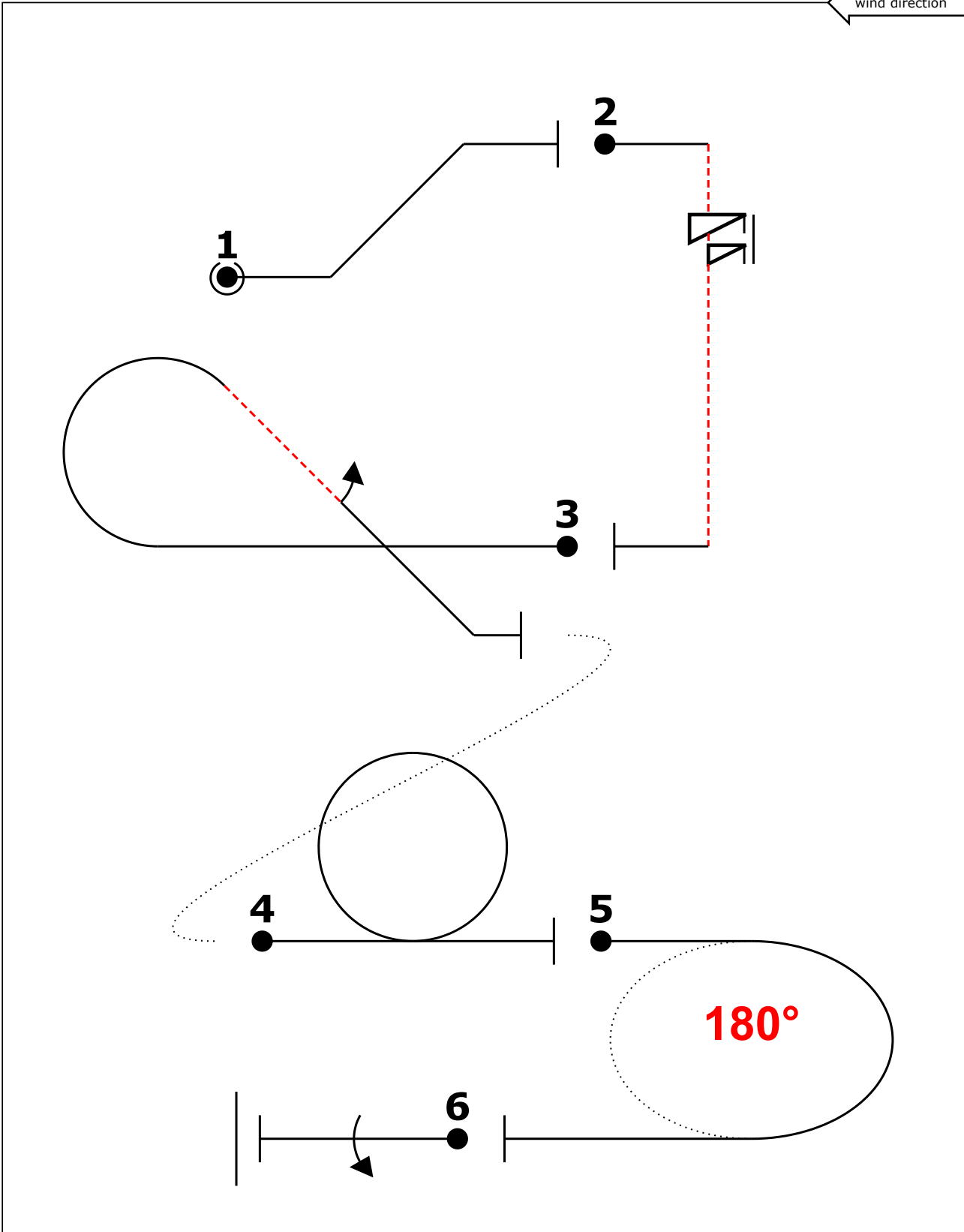


\_\_\_\_\_ Pilot  
 ..... A/C



<b>B</b>	Contest:	Category:
		Power Primary
Date:	Program:	Pilot's No.
2024	Known	<input type="text"/>

Pilot: \_\_\_\_\_  
wind direction

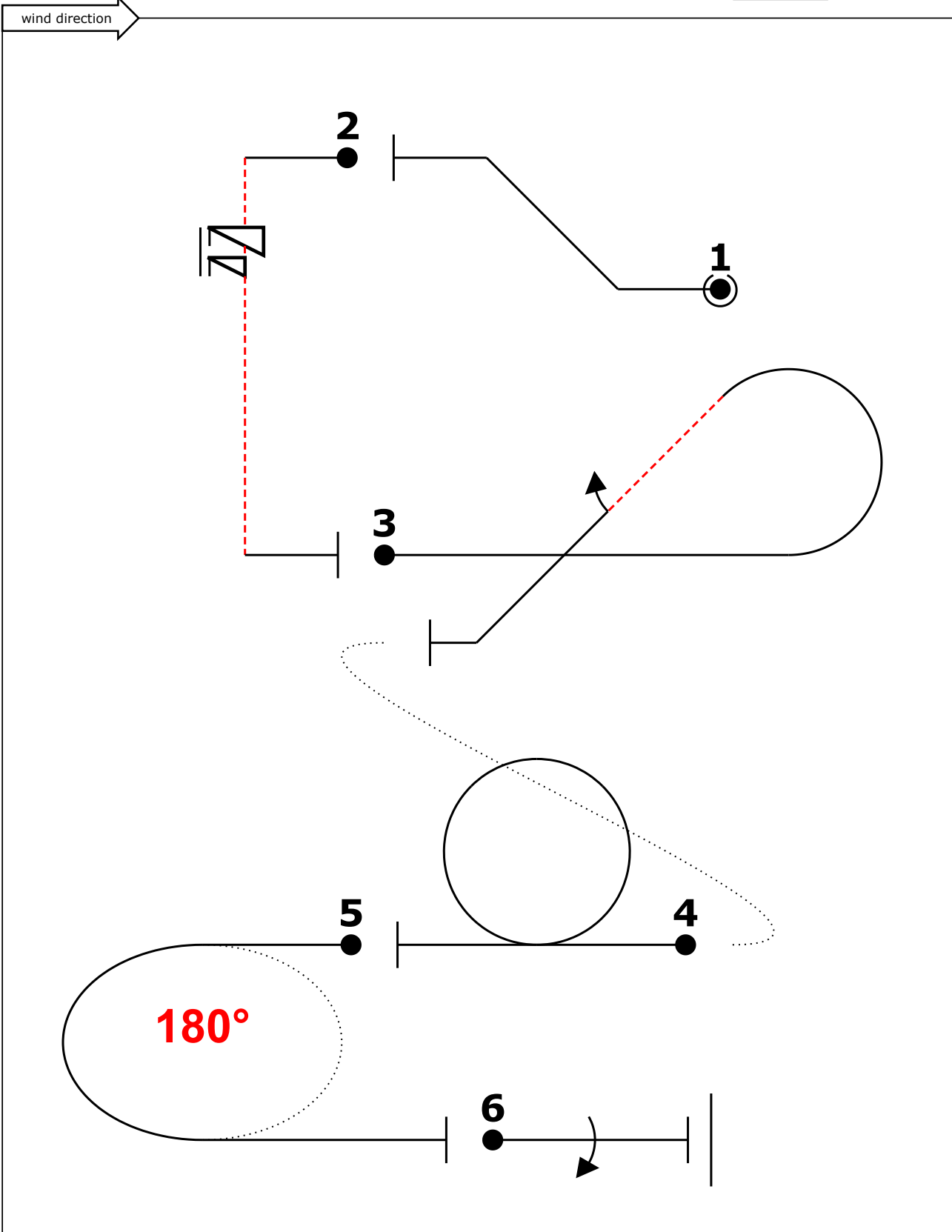


FREE PROGRAM CHECK BY: \_\_\_\_\_ (signature/date) \_\_\_\_\_ A/C: \_\_\_\_\_



<b>C</b>	Contest:	Category: Power Primary
	Date: 2024	Program: Known
		Pilot's No. <input type="text"/>

Pilot:



A/C:

(signature/date)

FREE PROGRAM CHECK BY:



Category: Power Primary Date: 2024  
 Program: Known

wind direction **R**

Figure K <b>58</b>	Judge Name IAC#	Pilot #
Total K <b>63</b>	Asst. Name IAC#	

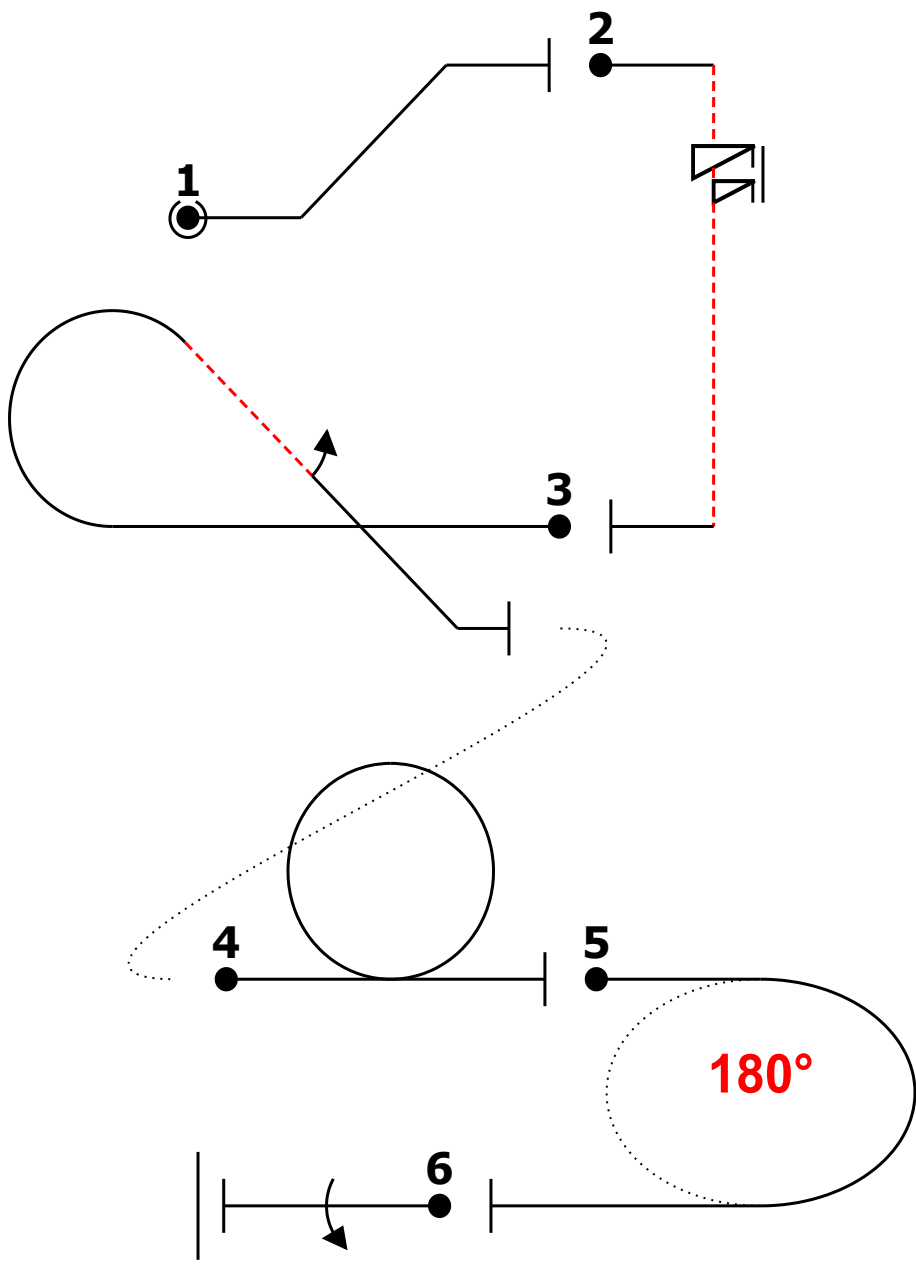


Fig	Grade	Remarks
1	.	
2	.	
3	.	
4	.	
5	.	
6	.	

Presentation **5** .

<b>Fig 1</b> 1.1.2.1	<b>K</b> 7	<b>Fig 2</b> 1.1.6.3	<b>K</b> 10	<b>Fig 3</b> 8.5.6.1	<b>K</b> 10	<b>Fig 4</b> 7.4.1.1	<b>K</b> 10	<b>Fig 5</b> 2.2.1.1	<b>K</b> 4	<b>Fig 6</b> 1.1.1.1	<b>K</b> 2
	<b>7</b>	9.11.1.6	<b>3</b>	9.1.4.2	<b>4</b>		<b>10</b>		<b>4</b>	9.1.3.4	<b>8</b>
			<b>13</b>		<b>14</b>						<b>10</b>

Pilot:

A/C:

Team: USA



Category: Power Primary Date: 2024  
 Program: Known

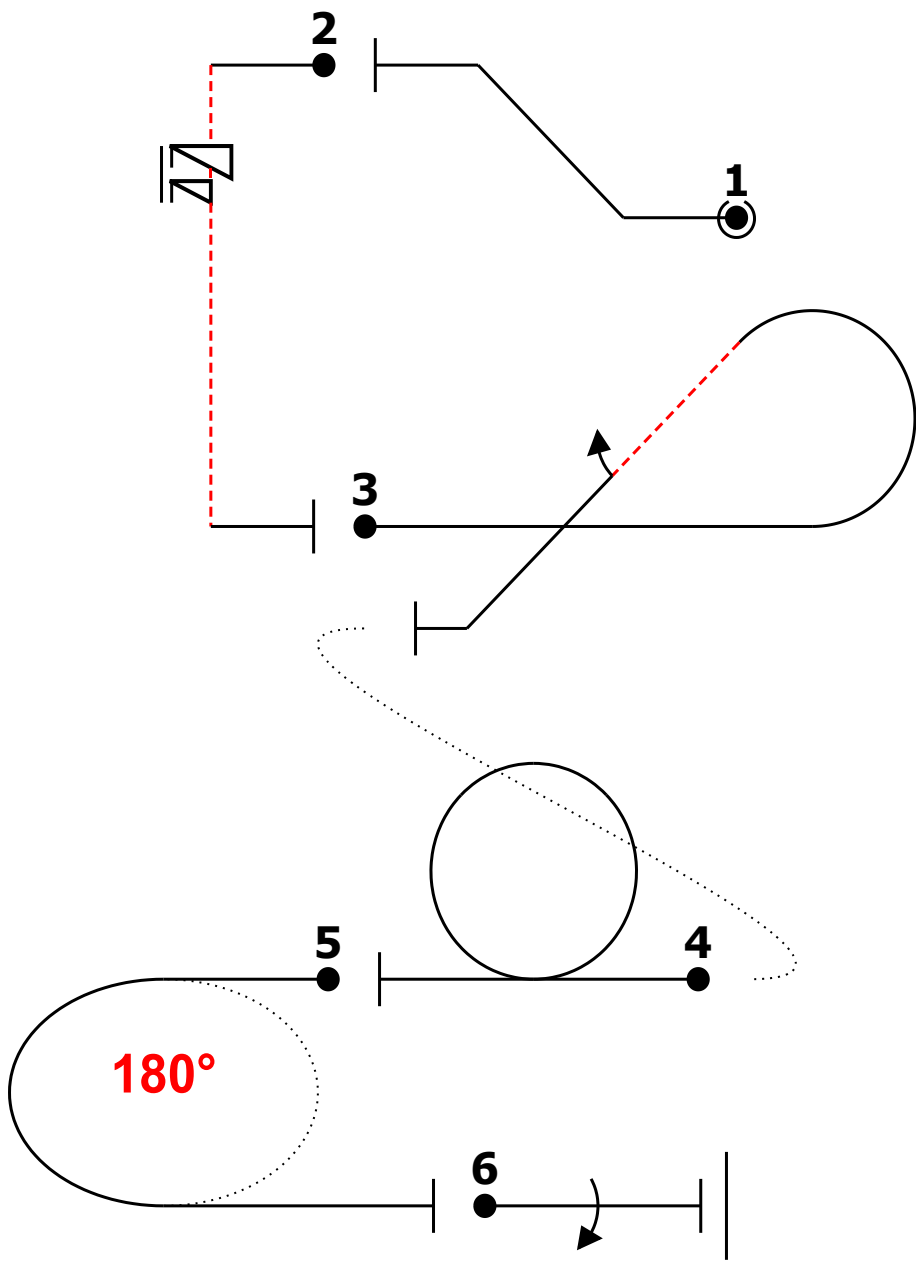
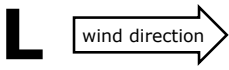


Figure K <b>58</b>	Judge Name IAC#	Pilot #
Total K <b>63</b>	Asst. Name IAC#	

Fig	Grade	Remarks
1	.	
2	.	
3	.	
4	.	
5	.	
6	.	

Presentation **5** .

<b>Fig 1</b> 1.1.2.1	<b>K</b> 7	<b>Fig 2</b> 1.1.6.3 9.11.1.6	<b>K</b> 10 3	<b>Fig 3</b> 8.5.6.1 9.1.4.2	<b>K</b> 10 4	<b>Fig 4</b> 7.4.1.1	<b>K</b> 10	<b>Fig 5</b> 2.2.1.1	<b>K</b> 4	<b>Fig 6</b> 1.1.1.1 9.1.3.4	<b>K</b> 2 8
	<b>7</b>		<b>13</b>		<b>14</b>		<b>10</b>		<b>4</b>		<b>10</b>

Pilot:

A/C:

Team: USA